

AS9100 / ISO9001 Certified

Space

MTI's 558 Series Hi-Rel Space Clock features hermetic case and small size with RAD hardness and rugged high g rms capability. The 558 Series is designed to operate in typical aerospace high acceleration and vibration environments up to 40g rms, 20Hz to 2KHz. Available options include internal precision temperature sensor, thermistor temperature sensor, dual LVPECL outputs with frequency division to 1/8, internal frequency multiplier to 5x and high signal level sine output. This rugged, precision clock is ideal for space and airborne environments.

Key Features

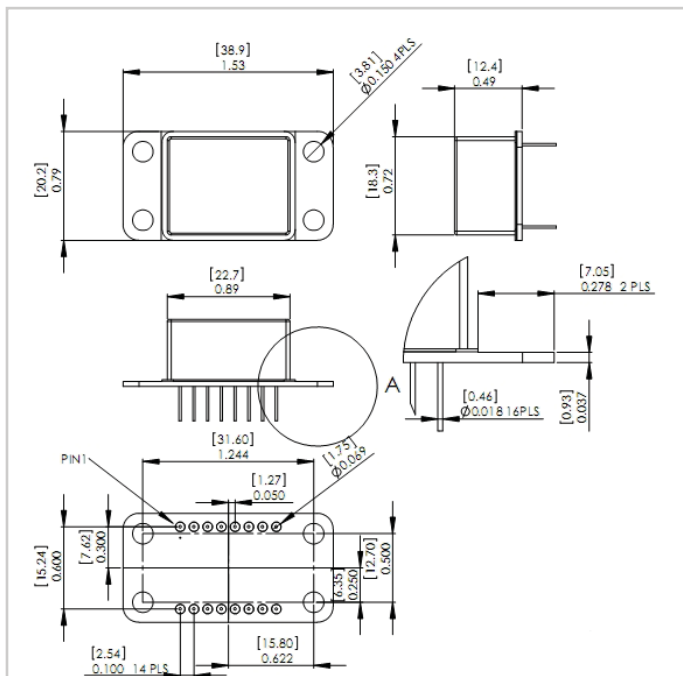
- **Dual Frequency Outputs**, up to 500MHz
- **Supply Voltage** 3.0 to 3.6V, 195mA Max
- **Dual Differential PECL Outputs**
- **Low Jitter**, 3.5PS @ 500MHz
- **Optional Sleep Mode Low Power Function**
- **Optional Precision Temperature Sensor (Current)**
- **Optional Precision Thermistor Sensor**
- **Rad Hardness** to 50Krad Si
- **Vibration Endurance** to 40g rms, 20Hz to 2KHz
- **Screening** to MIL-PRF-55310 Class S



Applications

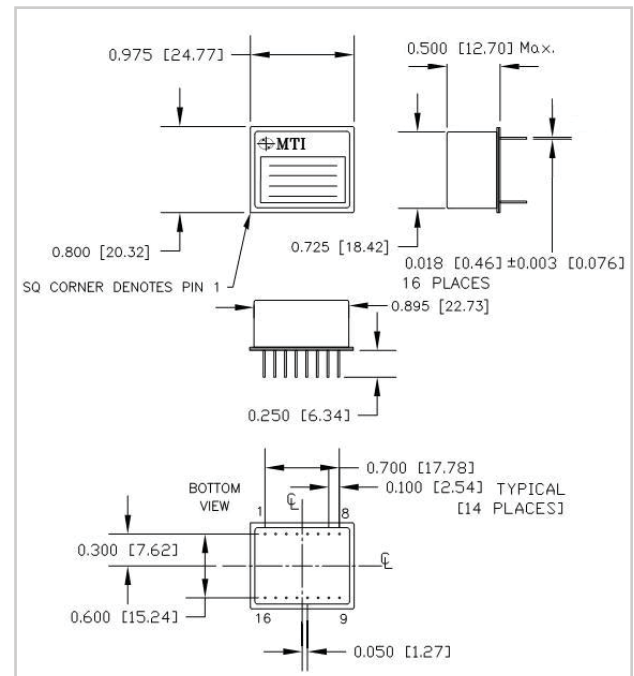
- Beacon Frequency Ref
- Master Reference
- DDS clocks
- ADC-DAC clocks
- Hi-Perf uP clocks
- Instrumentation
- V-SAT Terminals

Flange Mount Interface Drawing



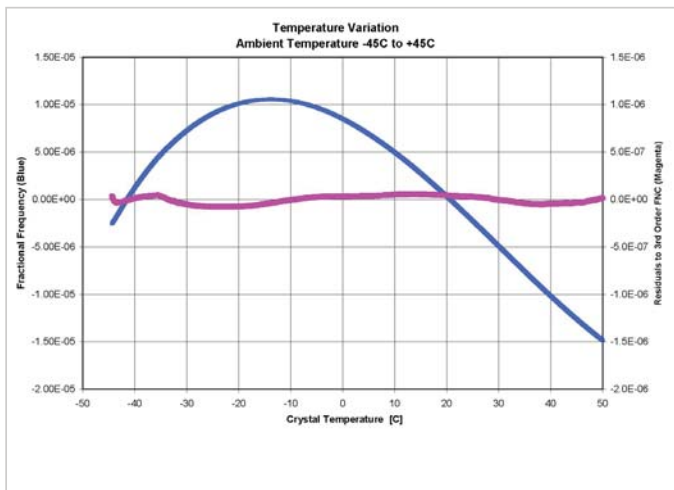
*RoHS compliant available

PCB Pin Mount Interface Drawing

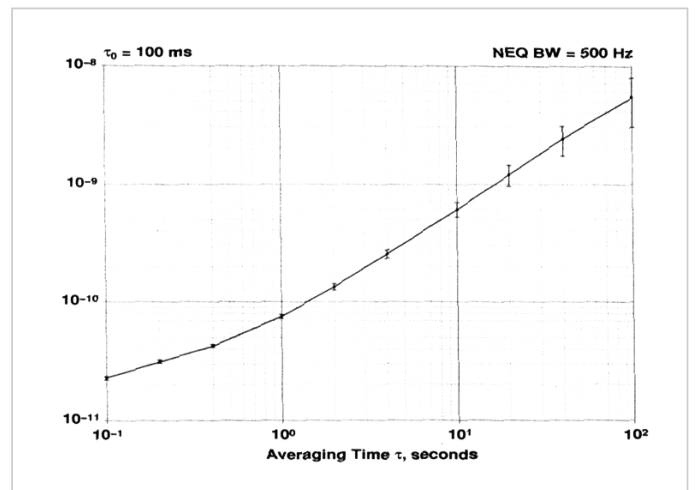


*Parameters can be modified to meet specific requirements

Temperature Variation



Allan Deviation



Phase Noise

