

AS9100 / ISO9001 Certified

High Stability

The 250 Series is designed to meet the industry standards for low-cost & high stability OCXOs, offering customer specified output frequencies between 32kHz and 60MHz. It has exceptional performance with optional frequency stability versus temperature from 500ppb down to 2ppb.



Key Features

- STRATUM IIIe+ Performance
- Compact Package
- Hermetically Sealed
- Available with AT or SC cut crystal
- Low Phase Noise
- Mechanical and Electrical Tuning Available
- Wide Frequency Range

Applications

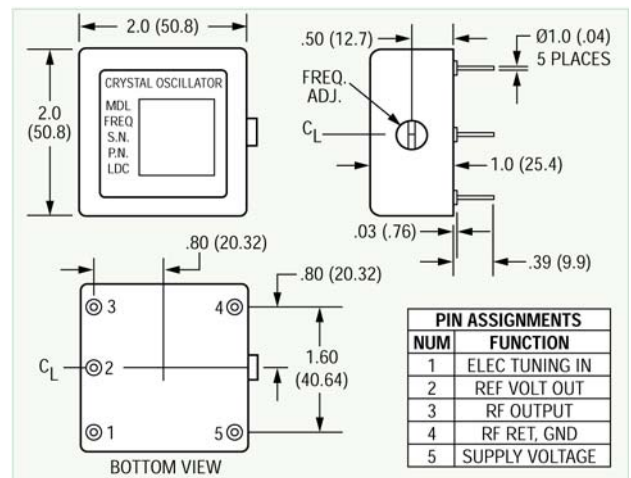
- Instrumentation
- GPS Receivers
- INMARSAT
- V-SAT
- STRATUM IIIe+ Telephony
- Point-to-point Wireless
- Aerospace

Typical Performance

Parameter	5MHz	10MHz	50MHz
Temperature Range	-40 to +85°C	-30 to +70°C	-30 to +70°C
Thermal Stability	2.5E-08	1.50E-08	2.0E-08
Phase Noise (at 1Hz)	-105dBc/Hz	-95dBc/Hz	-75dBc/Hz
Phase Noise (at 100kHz)	-160dBc/Hz	-160dBc/Hz	-147dBc/Hz
Short Term Stability (1s)	5.0E-12	7.0E-12	2.0E-11
Short Term Stability (10s)	1.0E-11	2.0E-11	5.0E-11
Aging (per year)	1.0E-08	5.0E-08	7.0E-08
Warm-up Power	6W	5W	5W
Continuous Power (25°C)	2.2W	1.7W	1.7W

*RoHS compliant available

Interface Control Drawing

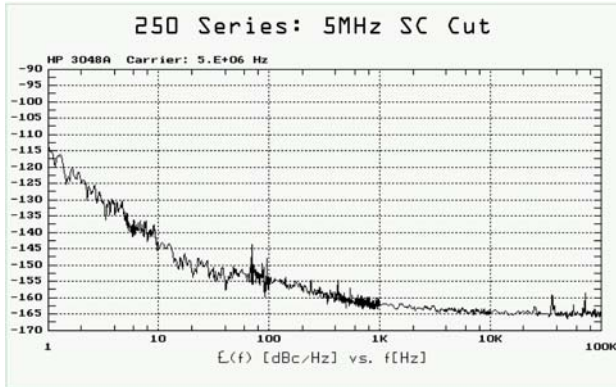


Performance Range

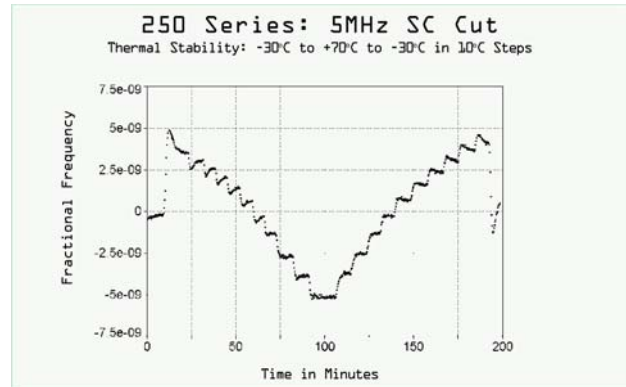
Parameter	Available Range
Frequency	32kHz to 60MHz
Thermal Stability	2.0E-09 to 5.0E-08
Operating Temperature	-55 to +85°C
Aging (per year)	1.0E-08 to 3.0E-07
Supply Voltage	5V to 28V
Supply Voltage Sensitivity	5.0E-10 to 2.0E-08
Output	Sine(0 to +13dBm) or CMOS
Harmonics	Down to -30dBc
Warm-up Time (25°C)	5 to 10 minutes
Warm-up Power	4W to 7W
Continuous Power (25°C)	1.2W to 2.5W
Tuning Range	±5.0E-07 to ±3.0E-06
Tuning Voltage	Within 0 to +10V

*Parameters can be modified to meet specific requirements

Phase Noise



Thermal Stability



Aging

