

AS9100 / ISO9001 Certified

Low Profile

The 240 Series OCXO (Oven Controlled Crystal Oscillator) is one of the lowest profile OCXO's in the industry. With a height of less than 0.55", the 240 series OCXO is a perfect fit for your rack mounted or portable application. Available with a AT or SC cut resonator, the 240 Series rivals the performance of units with a much higher profile.



Key Features

- Meets Stratum III, IIIe requirements
- Fast warm-up
- Low Phase Noise
- Hermetically sealed package
- AT and SC Crystal Cuts Available
- Wide Frequency Range
- Available in Space Flight Version

Applications

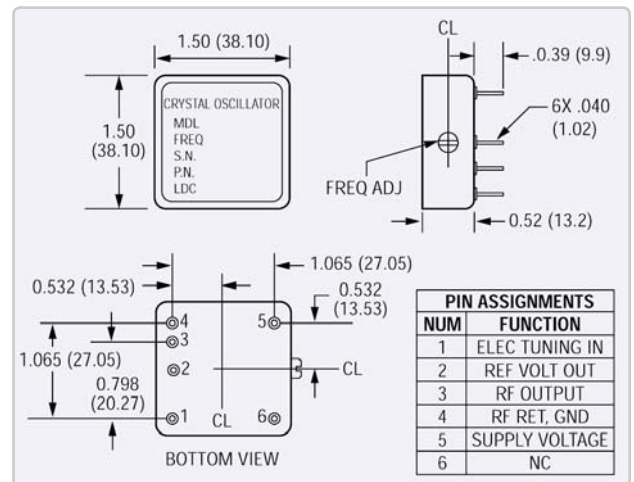
- Base Stations
- Rack Mounted Applications
- GPS Receivers
- Military Communication Equipment
- Test Equipment
- STRATUM III, IIIe Telephony

Typical Performance

Parameter	5MHz	10MHz	20MHz
Temperature Range	-30 to +70°C	-30 to +70°C	-40 to +85°C
Thermal Stability	2.0E-08	2.0E-08	5.0E-08
Phase Noise (at 1Hz)	-103dBc/Hz	-95dBc/Hz	-85dBc/Hz
Phase Noise (at 100kHz)	-160dBc/Hz	-160dBc/Hz	-160dBc/Hz
Short Term Stability (1s)	7.0E-12	1.0E-11	4.0E-11
Short Term Stability (10s)	2.0E-11	3.0E-11	1.0E-10
Aging (per year)	4.0E-08	5.0E-08	3.0E-07
Warm-up Power	6W	6W	7.0W
Continuous Power (25°C)	1.8W	1.8W	2.0W

*RoHS compliant available

Interface Control Drawing

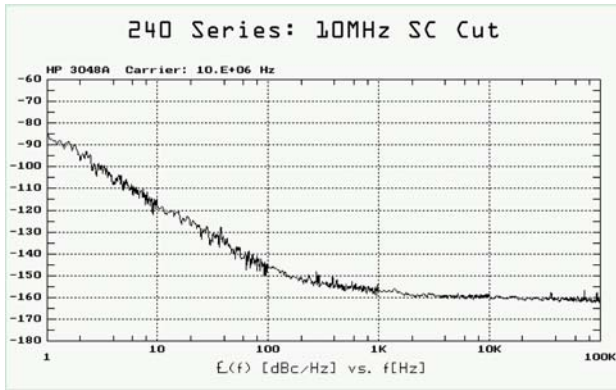


Performance Range

Parameter	Available Range
Frequency	75kHz to 30MHz
Thermal Stability	2.0E-08 to 5.0E-07
Operating Temperature	-40 to +85°C
Aging (per year)	2.0E-08 to 5.0E-07
Supply Voltage	5V to 15V
Supply Voltage Sensitivity	5.0E-09 to 5.0E-08
Output	Sine(0 to +11dBm) or CMOS
Harmonics	Down to -30dBc
Warm-up Time (25°C)	5 minutes
Warm-up Power	4.5W to 7.0W
Continuous Power (25°C)	1.2W to 2.0W
Tuning Range	±5.0E-07 to ±4.0E-06
Tuning Voltage	Within 0 to +10V

*Parameters can be modified to meet specific requirements

Phase Noise



Thermal Stability

